

# 1000 rSeries

## 1D CCD Fixed Scan Engine

Designed for OEM applications, this high performance fixed CCD scan engine can easily be integrated into various solutions such as kiosks, ticketing machines, (Reverse) Vending Machines and many more.

### Product Features

- **Ease of integration**

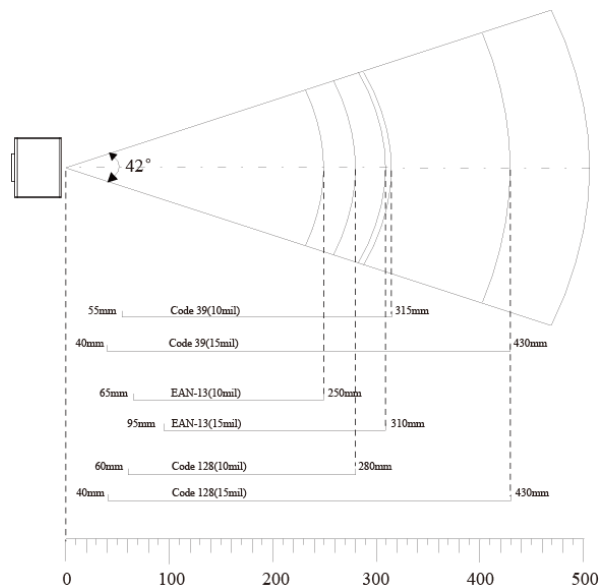
Compact and easy to integrate design. The small form factor enables easy integration into various solutions. The LV1000R has an IP54 rating meaning it is dust -and water resistant.

- **Advanced Technology**

Includes Longview-technology , which is independently designed and manufactured by Longview

technology includes the optical, CMOS, digitizer, decoder, image processing & embedded systems. The scanner supports all global standard 1D barcode symbologies. Its' reading performance reaches and exceeds global standards. By using the accessories provided, the user can ideally set up the scanner to its user environment.

### Decode Zone



## Specifications

Performance		
Image Sensor	CCD	
Resolution	2500	
Interface	RS232, USB 1.1	
Symbologies	Code128, EAN-13, EAN-8, Code39, UPC-A, UPC-E, Codabar, Interleaved 2 of 5, ISBN/ISSN, Code 93, UCC/EAN-128, GS1Databar, etc.	
Precision	≥ 5mil( Condition: PCS=0.9, testing code: Code 39)	
Depth of Scan Field	40mm-430mm	
Print Contrast Signal	≥ 30%	
Sensitivity**	Pitch	±65°@ 0°Roll and 0° Skew
	Roll	±30°@ 0°Pitch and 0° Skew
	Skew	±60°@ 0°Roll and 0° Pitch
Illumination	0 ~ 100,000 LUX	
Light Source	LED(622 nm - 628 nm)	
Light Intensity	265 LUX (130 mm )	
Mechanical/ Electrical		
Power Consumption	1.25W	
Voltage	DC 5 V	
Current	Max	250 mA
	Working	170mA
	Idle	65mA
Dimensions	49.0 *37.0 * 26.0 mm	
Weight	70 g	
Environment		
Operate Temperature	-5°C - +45°C	
Storage Temperature	-40°C - +60°C	
Humidity	5% - 95% ( non-condensing )	
Certificates		
FCC Part15 Class B, CE EMC Class B		
Accessories		
Cable	RS232 Cable	This cable connect to the RS232 port of LV1000R with a RJ45 port. With a standard female RS232 port to connect to standard male RS232 port. With a power port to accept power adapter supply.
	USB Cable	This cable connect to the USB Slave port of LV1000R with a RJ45 port. With a standard USB Slave port to connect to standard USB Host port.
Power Adapter	The power adapter for LV1000R by the CBL Output: DC 5V, 2A; Input: AC100~240V, 50~60HZ.	

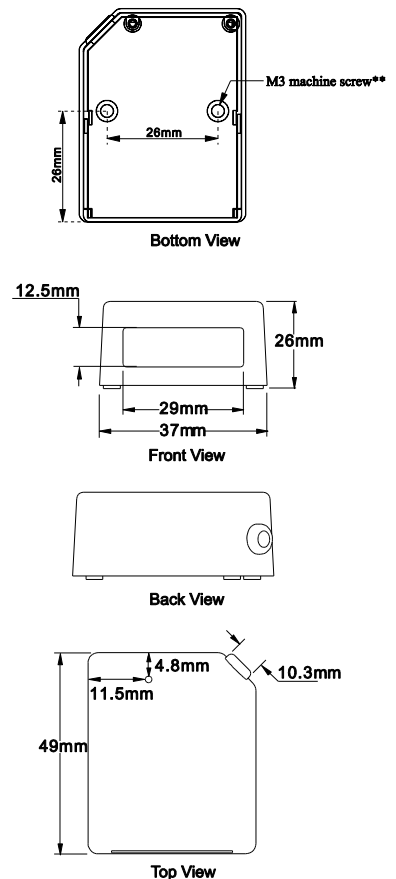
\*\*Test Condition:

Code39: 3 Bytes ; Resolution = 10mil; W:N = 3:1 ; PCS = 0.8 ;

Barcode Height = 11mm; Distance = 120mm; T=23°C; Illumination= 200 LUX

\*Specifications are subject to change without notice.\*

## Dimension (Unit: mm)



\*\*Note: The length of the screw into FM100 must be less than 5 mm.

## Contact Us

Yaping Wang  
 Shenzhen Longview Technology Development Co., Ltd.  
 TEL:0755-83233013-812  
 Phone:13480605108  
 E-Mail: wyp@lvscan.com  
 SKYPE: y7pwt65xy  
 MSN: yayawp@hotmail.com  
 Online store:www.aliexpress.com/store/804403  
 Address:14F Tongjian buildings 2,Shennan Rd,  
 Futian District, Shenzhen City,Guangdong,China